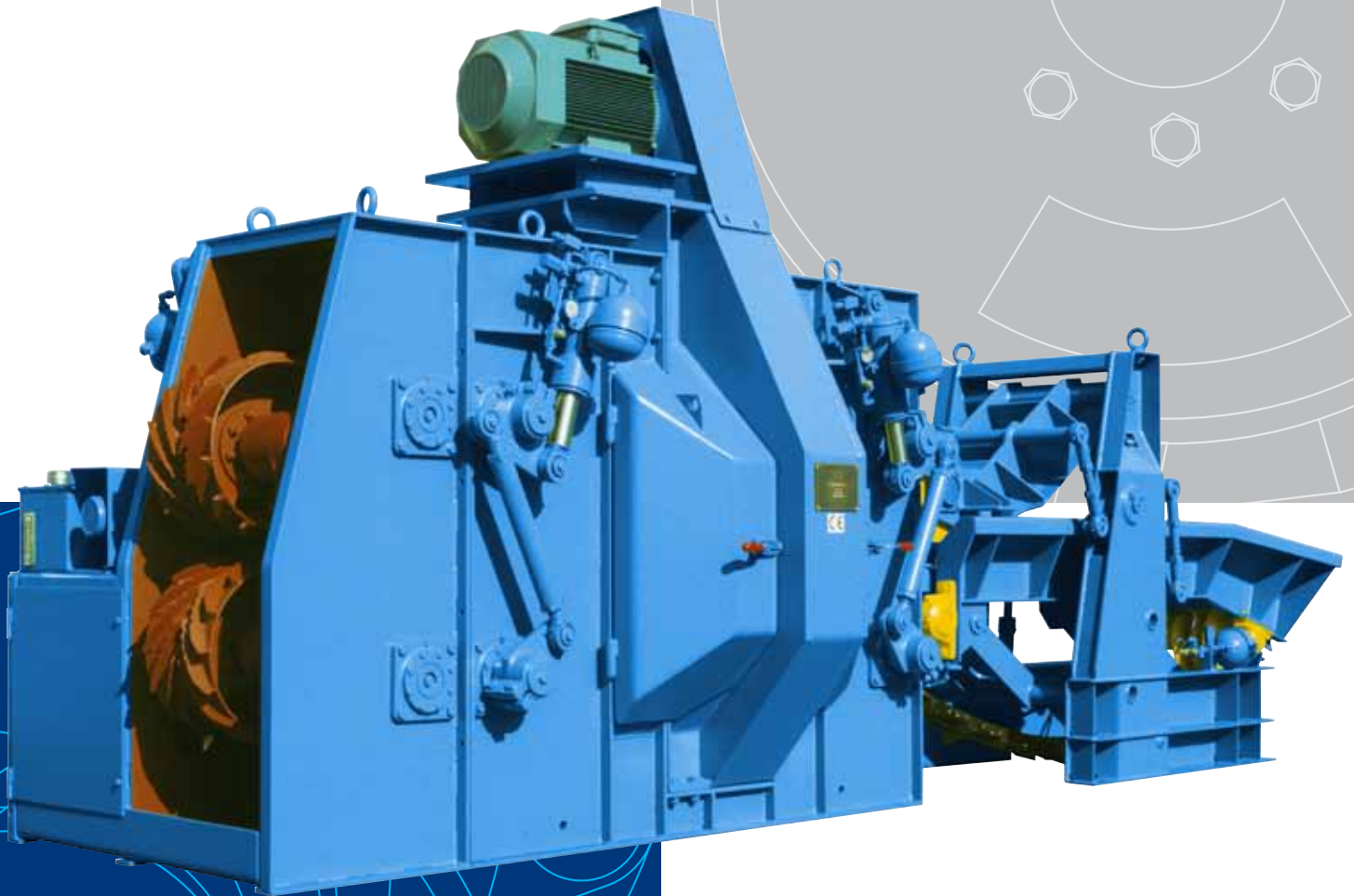


VK26SMX
VK26SMXSL

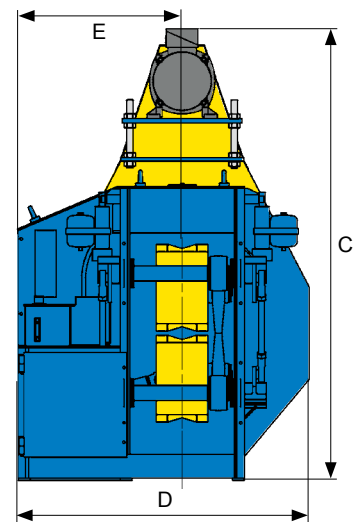
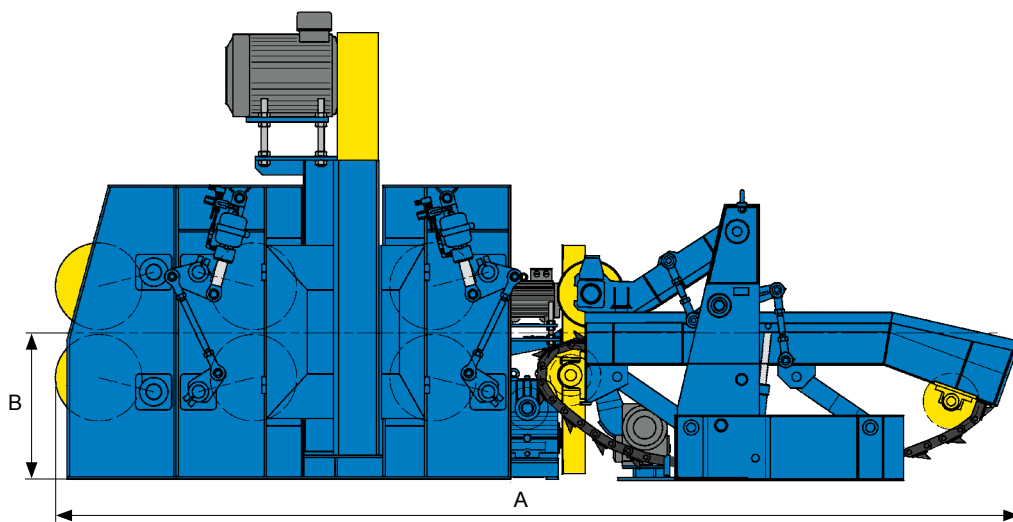
Fixed Rotor Debarker for Medium-sized Logs



VK26SMX



debarker specialist



Debarker for medium-sized logs

- Well known VK-rotor debarker for medium-sized logs
- Fixed debarking rotor – self centring of logs with infeed conveyor
- Fully automatic debarker – no operator needed

Debarker with hydraulic tool pressure

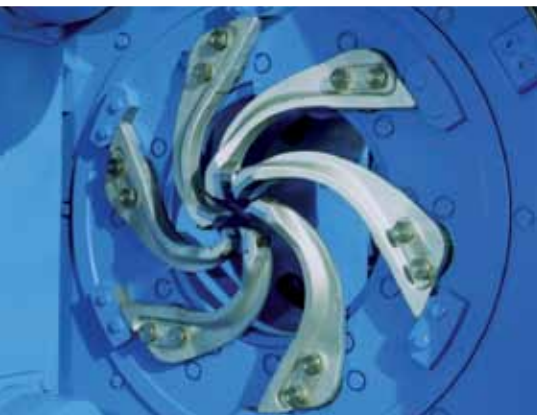
- Traditional rotor type. The tool pressure is created by stretching the rubber spring hydraulically – the pressure level is controlled by a separate pump unit
- Debarking tools are installed on the outfeed side of the rotor – the tool arm is designed for ease of opening
- Tool arms are manufactured of forged steel – replaceable tool tips
- Rotor has simple construction – facilitates easy maintenance

Automatic centring infeed conveyor

- Automatic both in vertical and sideways centring VK infeed conveyor guides the logs smoothly between the feedrolls – minimal fibre loss
- The conveyor is equipped with a hydraulic pre-opening system of the flap – especially improves the feeding of the small logs into the debarker

Feedrolls with replaceable inserts (FibreMax)

- Three insert models available: flat teeth, sharpened teeth and spiked.
- Eases the maintenance work of feedrolls – no special skills required
- No cutting effect on the log – less fibre damage
- Better grip for frozen logs with spiked inserts – minimal fibre loss



Technical Data

		VK26SMX	VK26SMXSL
A	mm	6 480	7 090
B	mm	985	985
C	mm	3 130	3 130
D	mm	1 950	1 950
E	mm	1 100	1 100
Debarking diameter	mm	100 - 620	100 - 620
Minimum log length	m	2,2	1,7
Weight	kg	12 900	15 000

Due to continuous product development the technical data is subject to change without further notice.

Hydraulic tensioning of feedrolls

- Each pair of feedrolls has its own hydraulic pressure system with pressure accumulator – the holding level of the feedroll is adjusted by a separate pump unit depending on the log size
- Simple construction of the system – facilitates easy maintenance



Valon Kone AB
Bollnäs, Sweden

VKS Pte Ltd
Singapore

VK North America Inc.
Spokane, WA, USA

OOO Valon Kone
Saint-Petersburg, Russia

Valon Kone Oy
P.O. Box 29, FI-08101 Lohja, Finland
Phone +358 19 36 061
Fax +358 19 382 729
info@valonkone.com
www.valonkone.com